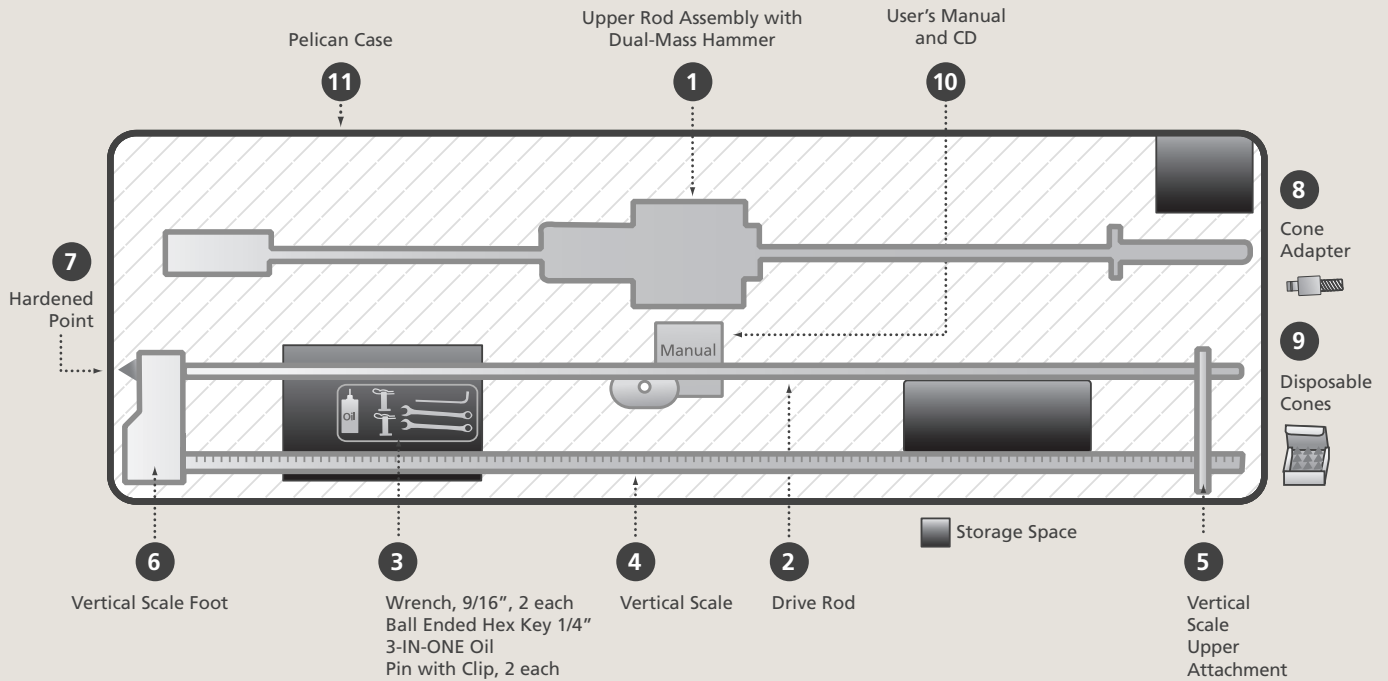


# DCP KIT COMPONENT LIST (K-100 A)



NO.	ITEM CODE	DESCRIPTION	PRICE
	<b>K-100 A</b>	<b>K-100 Standard DCP Kit Includes:</b>	<b>\$1,785.00</b>
1	K100	Dual Mass Hammer - Upper Rod Assembly	
2	K1330	Drive Rod, 30" — Stainless Steel	
3	4218.420	Ball Ended Hex Key 1/4"	
3	4218.445	Wrench, 2 each	
3	4218.430	3-IN-ONE-Oil	
3	K450	Pin with Clip, 2 each	
4	K503	Vertical Scale, 40"	
5	K530	Vertical Scale Upper Attachment	
6	K510	Vertical Scale Foot	
7	K700	Hardened Point with flats, silver	
8	K800	Cone Adapter with flats, silver	
9	4218.900	25 Disposable Cones	
10	K010	KSE User's Manual and CD	
11	P-1720	Pelican 1720 Case with custom foam	

