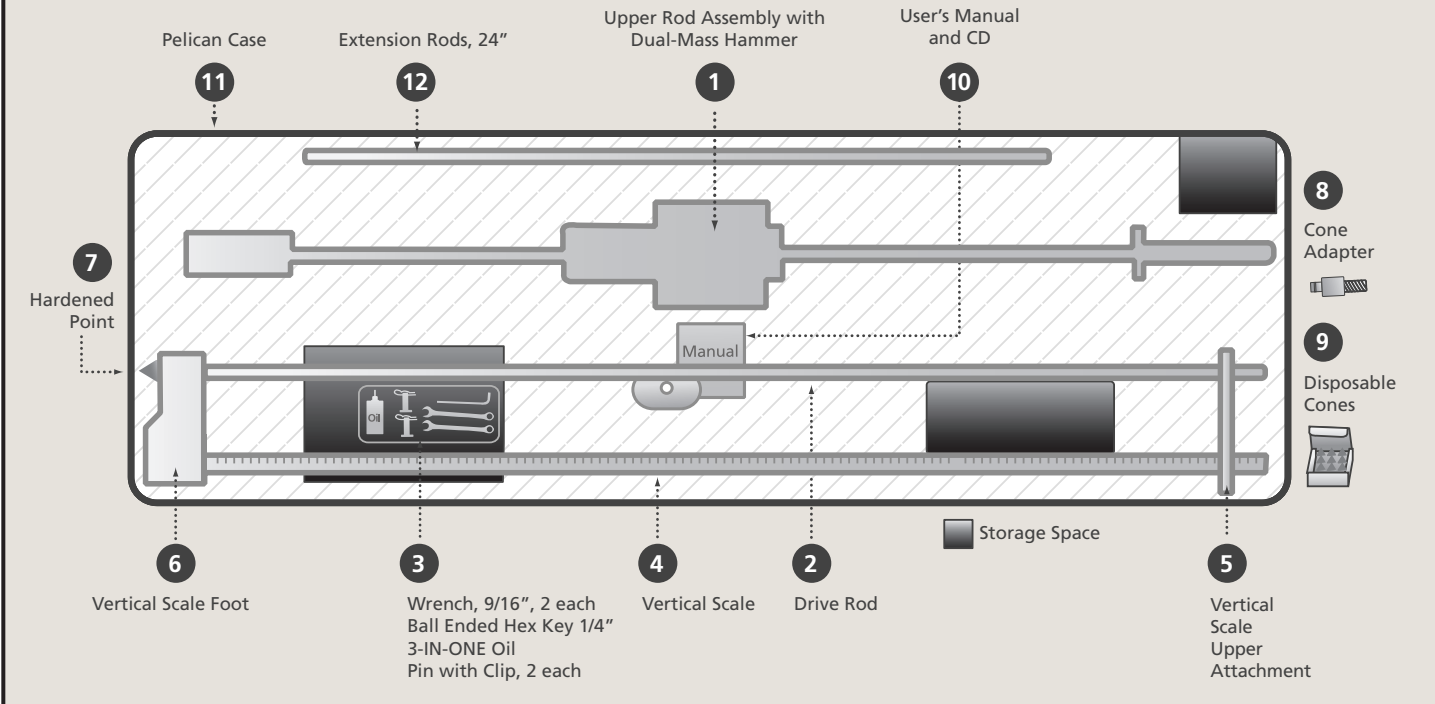


DCP KIT COMPONENT LIST (K-100 D)



NO.	ITEM CODE	DESCRIPTION	PRICE
	K-100 D	K-100 Deluxe DCP Kit Includes:	\$2,486.14
1	K100	Dual Mass Hammer - Upper Rod Assembly	
2	K1330	Drive Rod, 30" — Stainless Steel	
3	4218.420	Ball Ended Hex Key 1/4"	
3	4218.445	Wrench, 2 each	
3	4218.430	3-IN-ONE-Oil	
3	K450	Pin with Clip, 2 each	
4	K503	Vertical Scale, 40"	
5	K530	Vertical Scale Upper Attachment	
6	K510	Vertical Scale Foot	
7	K700	6 Hardened Points with flats, silver	
8	K800	2 Cone Adapters with flats, silver	
9	4218.900	4 Packages of 25 Disposable Cones	
10	K010	KSE User's Manual and CD	
11	P-1720	Pelican 1720 Case with custom foam	
12	K1724	3 Extension Rods, 24"	
12	K150	Lower Rod, Light Duty, 12"	

