

Military Kit

DCP Model K100 M

(DUAL MASS DYNAMIC CONE PENETROMETER)

ADVANCE TO DEPTH OF THIRTY SIX INCHES

MEETS ASTM D6951

Includes:

1. **K100** Upper assembly (Stainless Steel) includes:
 - **K103** Quick-Connect Upper Rod
 - **K102** Handle
 - **K200** Dual Mass Hammer
2. **K133775** Drive Rod 37-3/4" (Stainless Steel) (36" penetration) with end cap
3. **K400** Tools and Oil
4. **K503** Vertical Scale, 40"
5. **K530** Upper Attachment for Vertical Scale
6. **K510** Foot for Vertical Scale
7. **K700** Reusable Hardened Point, 7/16" fine threads
8. **K800** Adapters for Disposable Cones, 7/16" fine threads (2)
9. **4218.900** Disposable Cones, Pkg of 25 (4)
10. **K010** User's Manual & CD with Excel® Template
11. **P-1720** Pelican Carrying Case (44"x16"x6") with wheels (compact case with custom high density foam)

The K-100 M DCP Kit measures the shear strength of soil with a CBR between 0.5-100. This kit is designed to meet military testing requirements with its 37.75" drive rod (actual penetration depth is 36"). It comes with 100 disposable cones and two adapters for fast and easy extraction of the instrument from hard soil. The stainless steel dual mass hammer and crushproof Pelican carrying case with transport wheels are included.

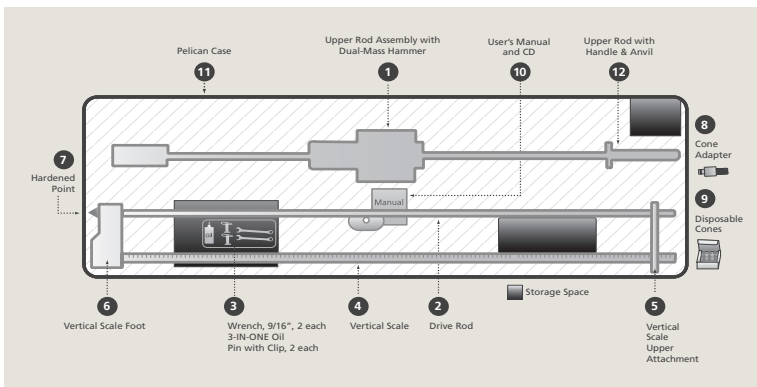
Quick-Connect Pin makes assembly a snap!



This DCP *only* requires one operator to do a test.



DCP Model K100M is strong, compact and ergonomically designed for one person to use to a depth of 36".



Order online: www.kesslerdcp.com
 Call: (800) 569-7303 or (703) 569-2583
 Fax: (571) 291-2312



KSE is DCP innovation.

42654 Fairweather Court, Broadlands, Virginia 20148