

## Standard Kit

### DCP Model K100 A

(DUAL MASS DYNAMIC CONE PENETROMETER)

ADVANCE TO DEPTH OF TWENTY SEVEN INCHES

MEETS ASTM D6951-03

#### Includes:

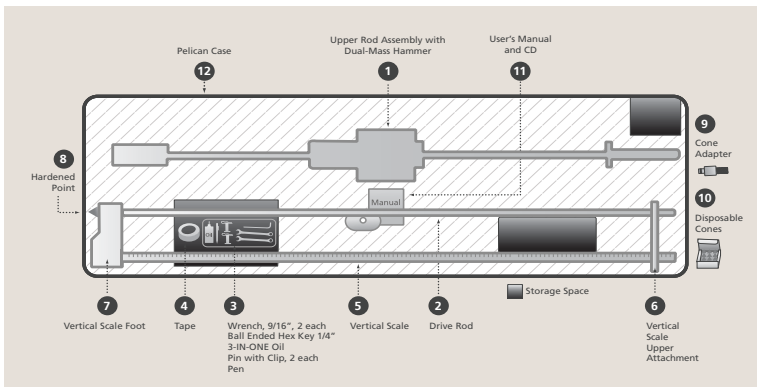
1. **K100** Upper assembly (Stainless Steel) includes:
  - **K103** Quick-Connect Upper Rod
  - **K102** Handle
  - **K200** Dual Mass Hammer
2. **K130** Drive Rod 30" (Penetration to 27" (Stainless Steel) with end cap
3. **K400** Tools and Oil
4. Tape
5. **K500** Vertical Scale, 40"
6. **K530** Upper Attachment for Vertical Scale
7. **K510** Foot for Vertical Scale
8. **K700** Reusable Hardened Point, 7/16" fine threads
9. **K800** Adapter for Disposable Cones, 7/16" fine threads
10. **4218.900** 25 Disposable Cones
11. **K010** User's Manual & CD with Excel® Template
12. **P-1720** Pelican Carrying Case (44"x16"x6") with wheels (compact case with custom high density foam)

#### Optional:

- **K133775** Drive Rod 37-3/4" (Penetration to 36") (Stainless Steel) with end cap.
- **K1312** Drive Rod 12" for use with 24" Extension Rods
- **K1724** Extension Rod 24" for use with 12" Drive Rod in weak soil

### K100A Quick-Connect Dual Mass Standard DCP Kit for \$1,785.00\*

\*plus Shipping: 57 lbs, 45"x16"x6"



The K-100 Standard Kit measures the shear strength of soil with a CBR between 0.5-100. Affordably priced, this kit is for local engineers and geotech firms. With it the user can produce CBR value profiles in the field. It comes with a 30" drive rod (actual penetration depth 28 1/4"), 25 disposable cones and an adapter for fast and easy extraction of the instrument from hard soil. The stainless steel dual mass hammer and crushproof Pelican carrying case with transport wheels are included.



**Quick-Connect Pin makes assembly a snap!**

This DCP *only* requires one operator to do a test.



DCP Model K100A is strong, compact and ergonomically designed for one person to use testing a single lift.

Order online: [www.kesslerdcp.com](http://www.kesslerdcp.com)  
 Call: (800) 569-7303 or (703) 569-2583  
 Fax: (703) 569-1704



**KSE is DCP innovation.**

42654 Fairweather Court, Broadlands, Virginia 20148