

Economy Kit

DCP Model K100 E

(SINGLE MASS DYNAMIC CONE PENETROMETER)

ADVANCE TO DEPTH OF THIRTY SIX INCHES

MEETS ASTM D6951-03

Includes:

1. **K010** User's Manual & CD with Excel® Template
2. **K100** Upper assembly (Stainless Steel) includes:
 - **K103** Quick-Connect Upper Rod
 - **K102** Handle
 - **K200** 17.6 lb steel Hammer
3. **K130** Drive Rod 37.75" (Penetration to 36"), Stainless Steel with end cap
4. **K700** Reusable Hardened Point, 7/16" fine threads
5. **K400** Tools and Oil (compact case with custom high density foam)

Optional:

- **K133775** Drive Rod 30" (Stainless Steel) with end cap.
- **K1312** Drive Rod 12" for use with 24" Extension Rods

The K-100 Economy Kit measures the shear strength of soil with a CBR between 10-100. This kit is ideal for the engineer who occasionally needs CBR values in the field. The single mass structural steel hammer is standard with this kit. Also included is a hardened point, manual & CD, and 3-in-1 oil. The User's Manual provides look up tables for CBR and psf to correlate to the number of blows between the 2" rings marked on the Drive Rod.

Please Note: The K-100 Economy Kits DOES NOT come with a carrying case or Vertical Scale. Disposable cones, Adapters, additional Hardened Points, and Pelican cases are sold separately.

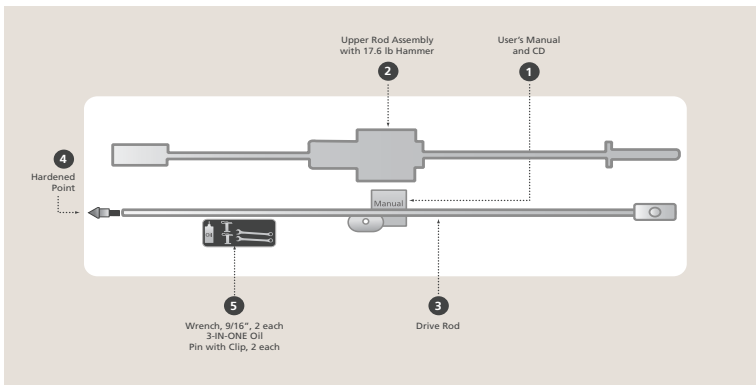
Quick-Connect Pin makes assembly a snap!



This DCP *only* requires one operator to do a test.

K100E Quick-Connect Economy DCP Kit for \$856.69*

*plus Shipping: 30 lbs, 45"x6"x6"



DCP Model K100E is strong, compact and ergonomically designed for one person to use testing a single lift.

Order online: www.kesslerdcp.com
Call: (800) 569-7303 or (703) 569-2583
Fax: (703) 569-1704



KSE is DCP innovation.

42654 Fairweather Court, Ashburn, Virginia 20148